

4

3

2

1

D

D

C

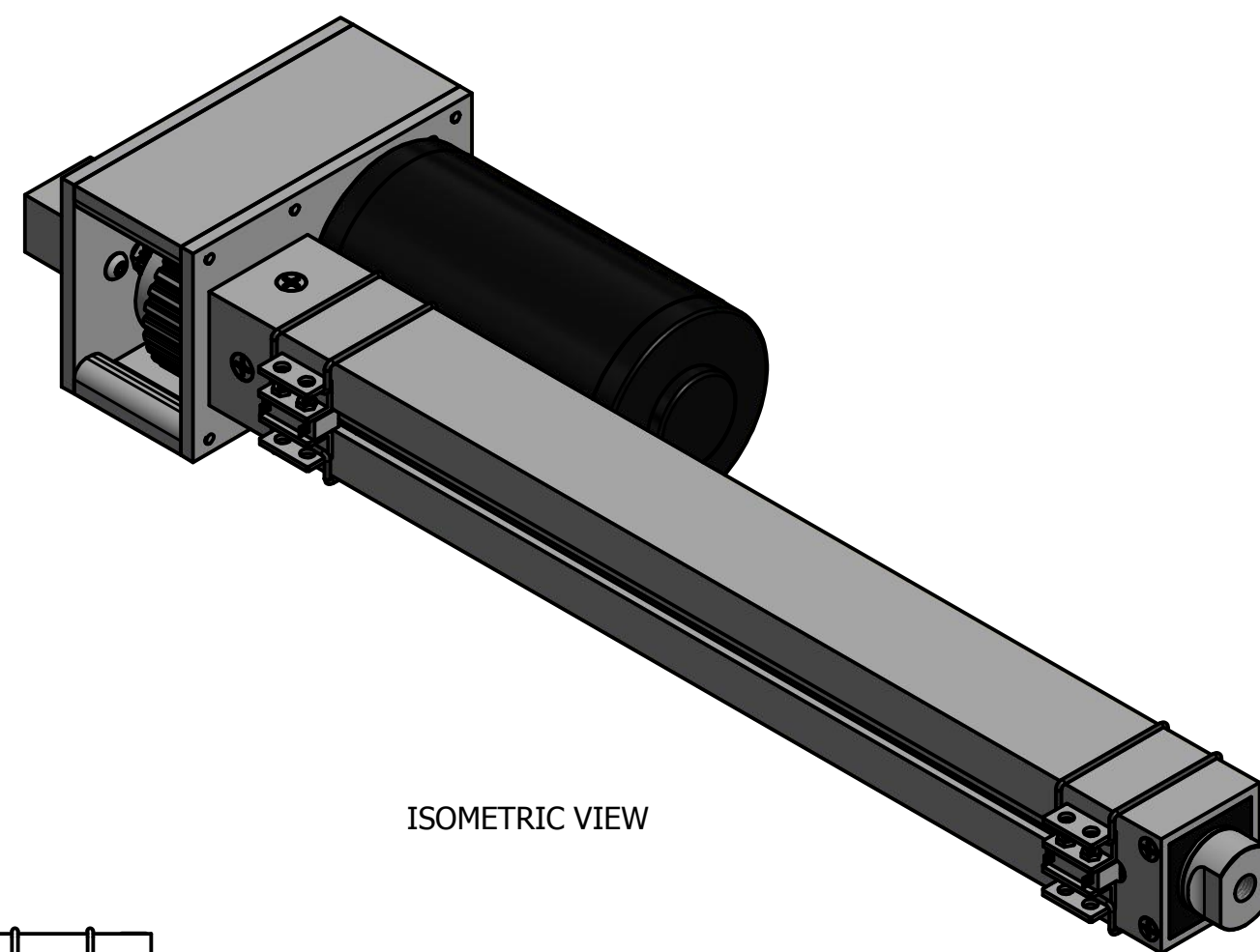
C

B

B

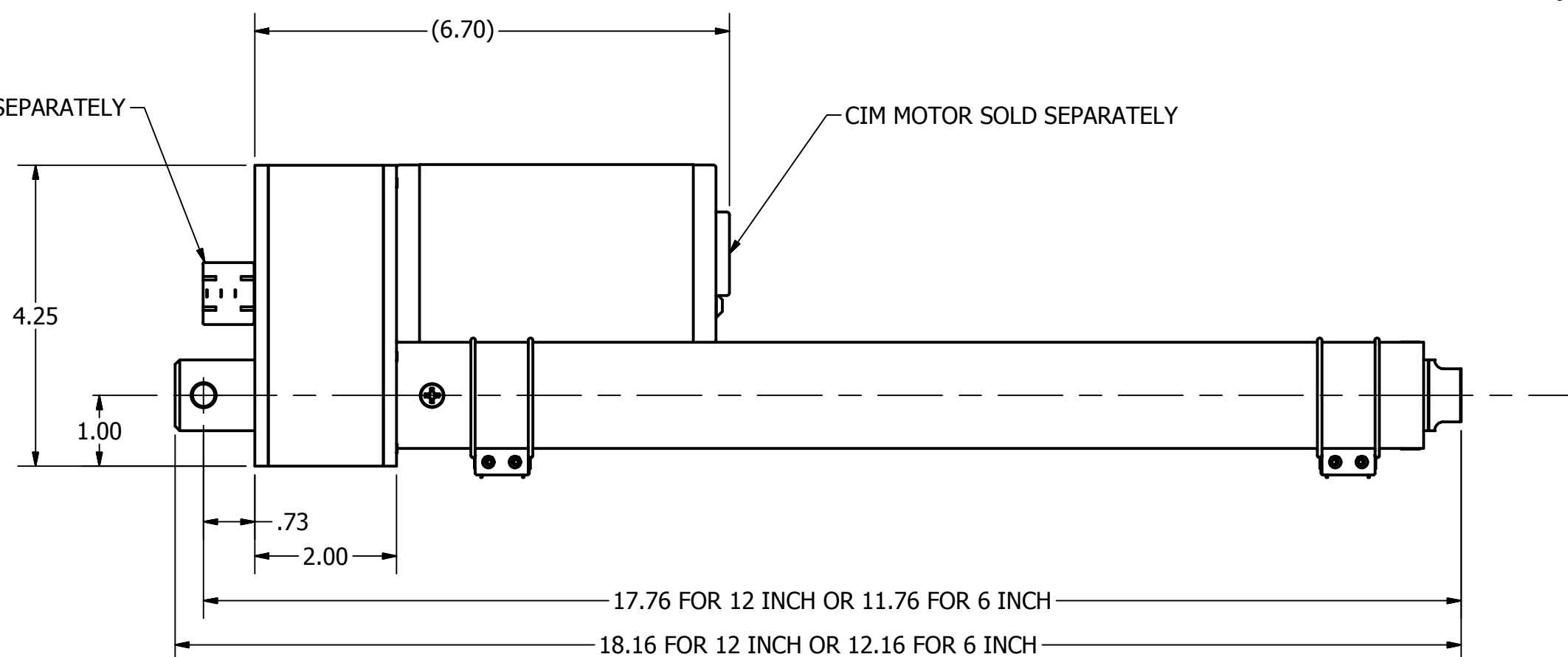
A

A



POTENTIOMETER SOLD SEPARATELY

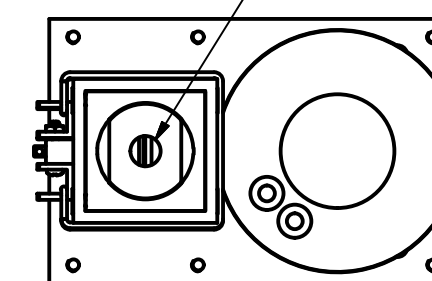
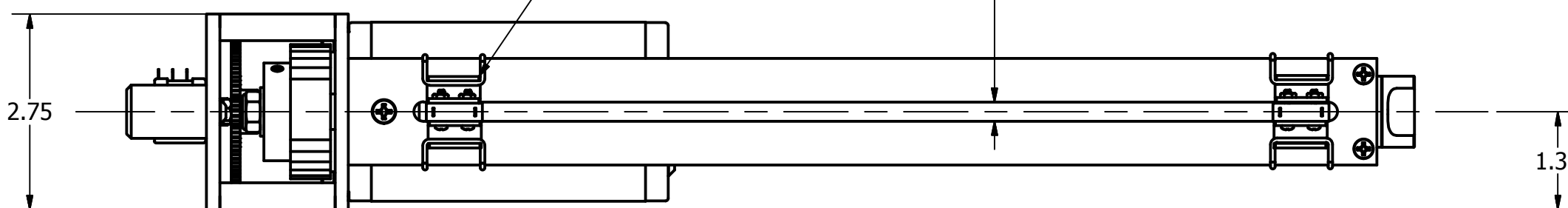
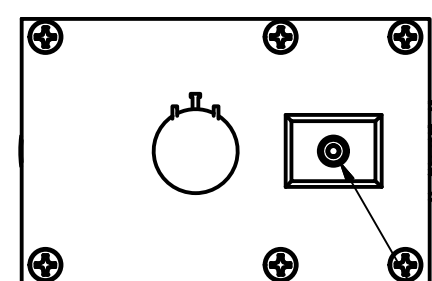
CIM MOTOR SOLD SEPARATELY



LIMIT SWITCHES ADJUSTABLE IN SLOT. APPLY ADHESIVE TAPE TO SET PERMANENTLY.

.27 LIMIT SWITCH SLOT WIDTH

5/16-24 UNF - 25 ∇ .625



5/16-24 UNF - 2B ∇ 1.13

DRAWN D.RICHARDSON	11/10/2014	IR3 CREATIVE ENGINEERING		
CHECKED		TITLE		
QA		DART ACTUATOR PACKAGE		
MFG		SIZE C	DWG NO Linear Actuator-12	REV 0
APPROVED		SCALE 1/2	SHEET 1 OF 1	

4

3

2

1

4